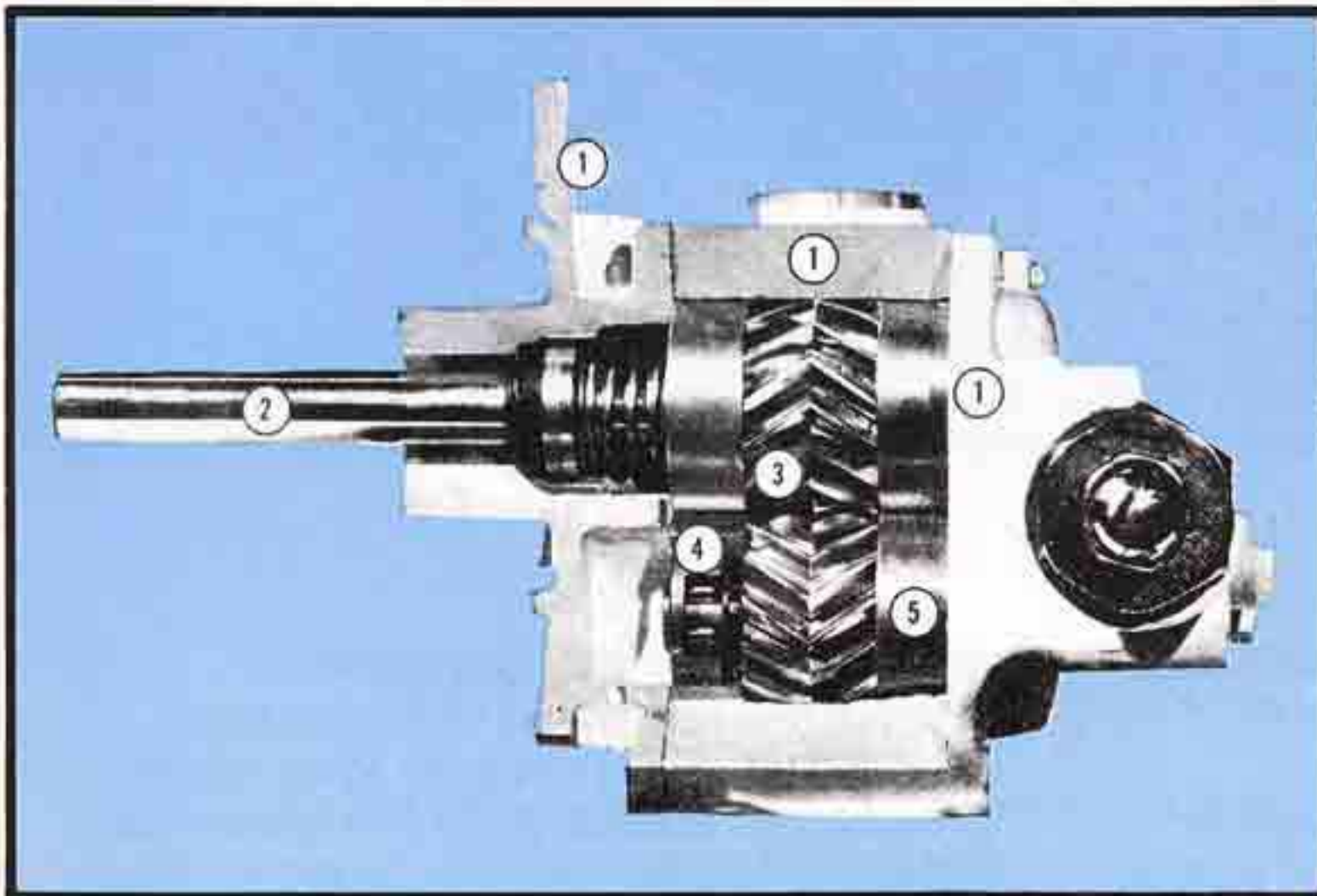


Features, Benefits, Operating Range

VARLEY FEATURES give you these BENEFITS

* Compact Design	Easy Fitting
* Double Helical Rotors	Smooth Non-pulsating Flow
* Balanced Rotor	Thrust Eliminated
* Journal Roller Bearings	Long Life
* High Suction Lift Capability	Self Priming
* High Interchangeability	Economic Maintenance
* Flexible Coupling	Easy Maintenance
* Standard Metric Motors	Faster Deliveries
* All Motorised Units bracket mounted	Saves space and eliminates need for baseplate
* Pumps Custom Tested as standard	No adjustment required on site

CAPACITY RANGE	0.5 igpm (0.14 M ³ /H) – 200 igpm (55M ³ /H)
VISCOSITY RANGE	Up to 15,000 Secs Redwood No. 1
PRESSURES	Up to 500 p.s.i (35 kg/cm ²)
SUCTION LIFT	Up to 20+ Hg (445mm)
TEMPERATURES	Up to 350°F (176°C)



Integral bypass relief valve fitted as standard
(can be supplied without if not required)

Standard paint finish Hammer Green (Styrenated Alkyd).

- 1. Front Cover, Body, Rear Cover**
Close grained cast iron
to B.S.1452 (Grade 14)
- 2. Shaft**
(main and idler) Steel
to B.S.970 (EN36B)
- 3. Double-helical rotors**
Steel to B.S.970 (EN9)
- 4. Journal roller Bearings**
To B.S. 292
- 5. Bearing housings**
Heat treated cast iron
to B.S.1452 (Grade 14)

Seal
Packed gland or
mechanical seal

Other Products

(Separate publications available)

VARLEY Tanker Pumps

VARLEY Petrol & Solvents Pumps

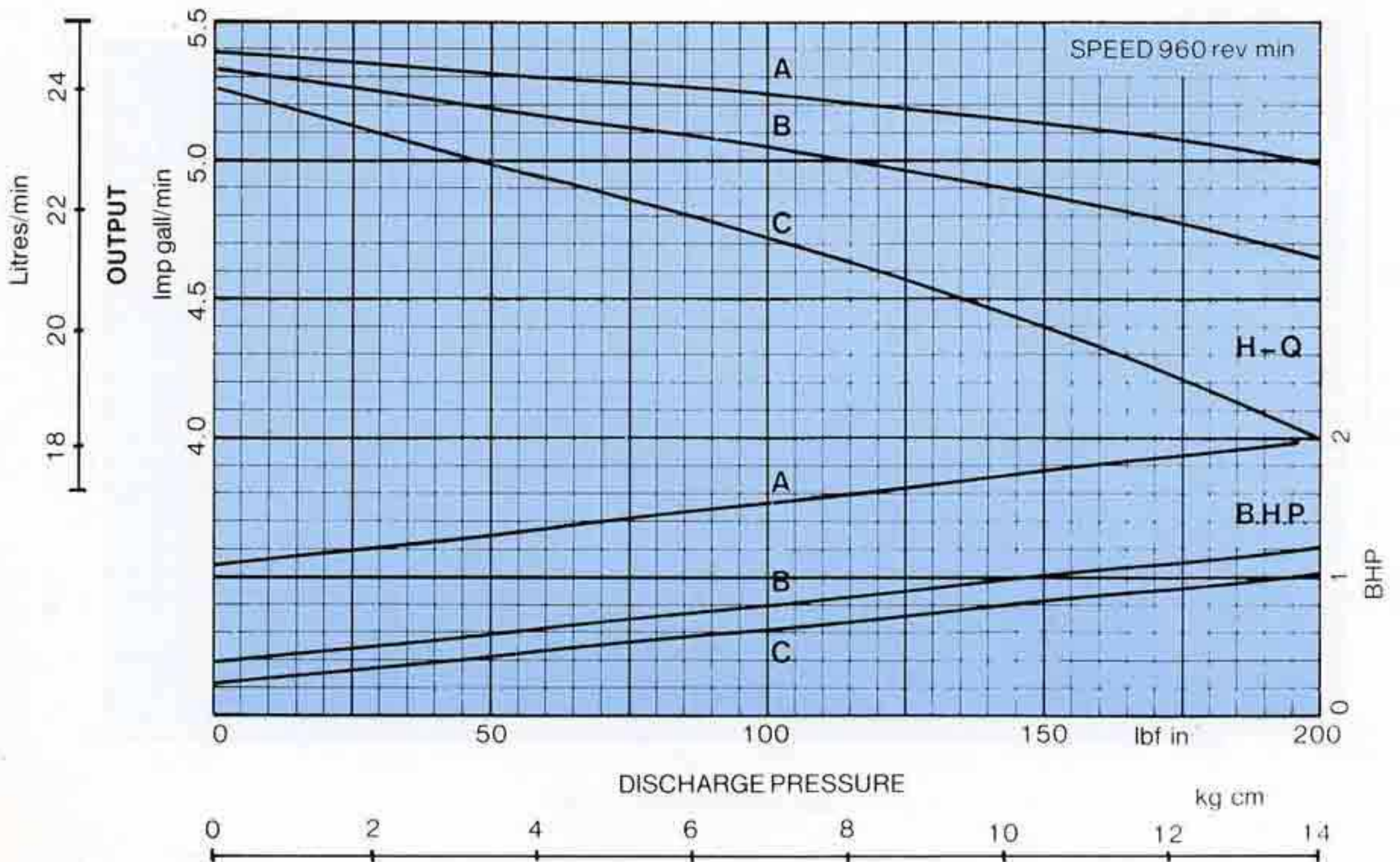
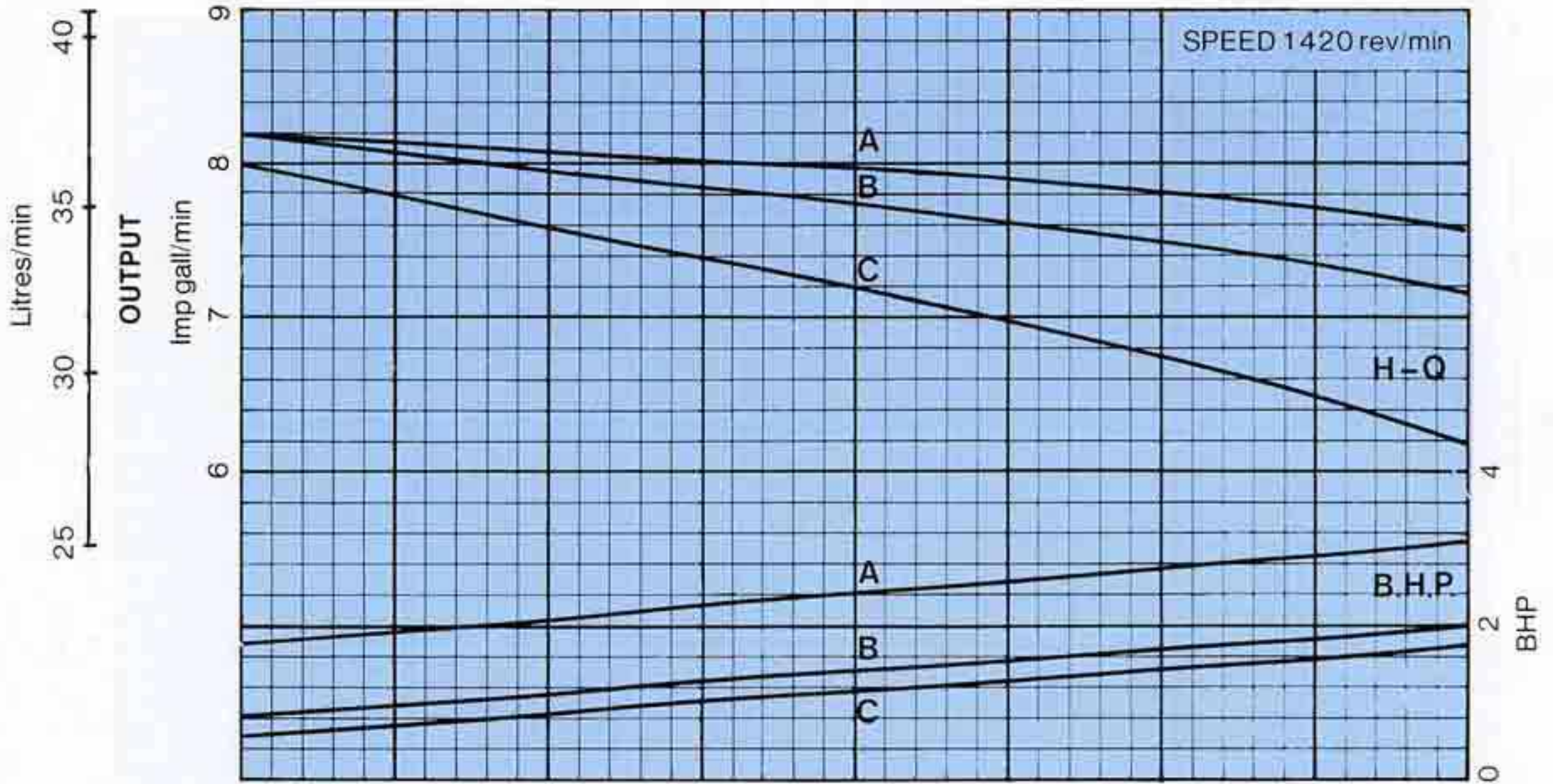
VARLEY Suds Pumps

REPAIR, SERVICE & SPARES — facilities available

Pump Performance Curves

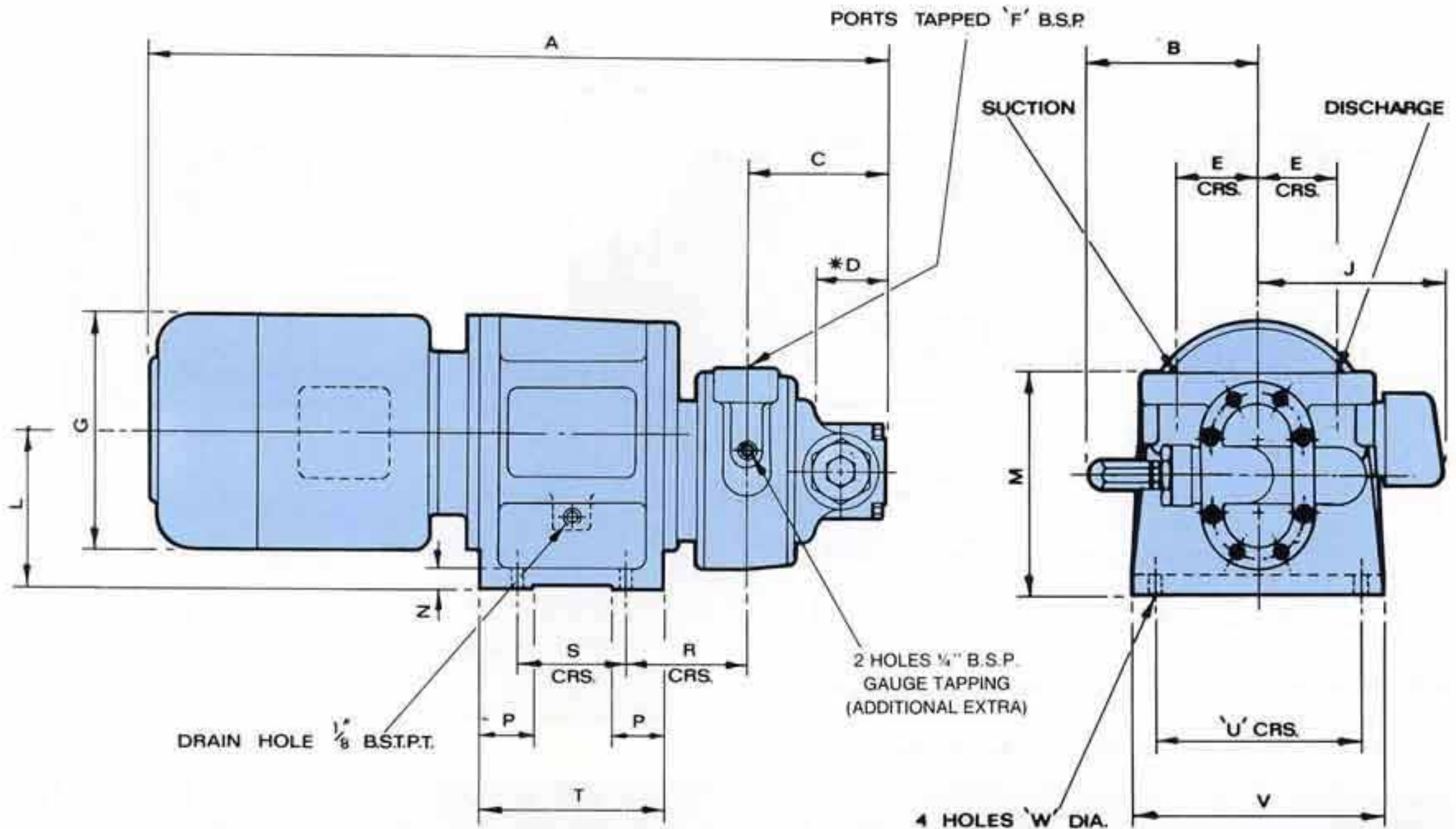
Pump Size 7

- Curve A – Viscosity 7400 S.R.I., 1850 Centi-stokes OR 8000 SSU
- Curve B – Viscosity 310 S.R.I., 76 Centi-stokes OR 360 SSU
- Curve C – Viscosity 75 S.R.I., 17 Centi-stokes OR 86 SSU



Dimension Drawings

Horizontal Motorised Pump Sizes 5-7M



* WHEN BY PASS IS NOT FITTED SUBTRACT DIMENSION 'D'

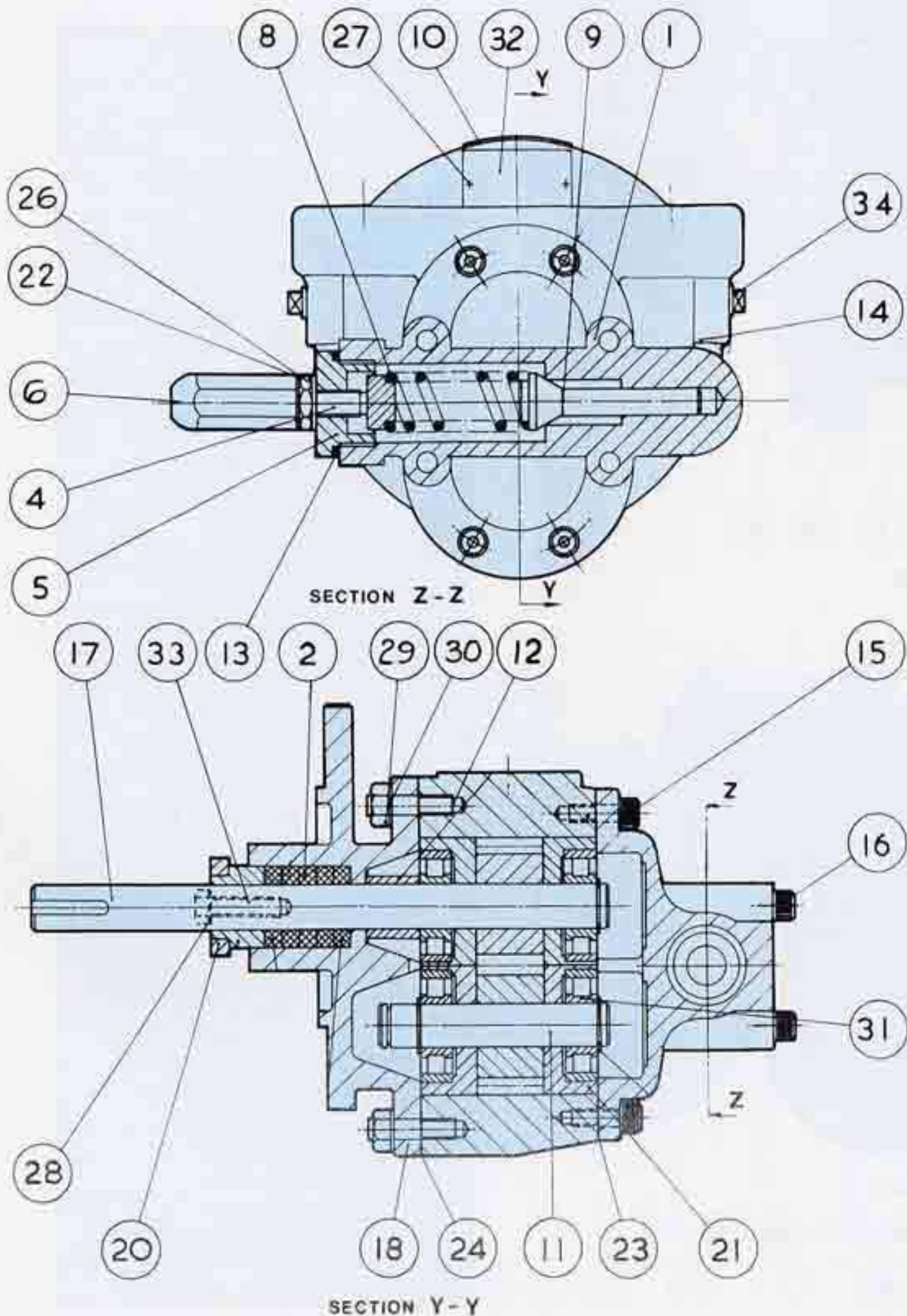
ALL MOTOR DIMENSIONS BASED ON B.C.P. MOTORS

ALL DIMENSIONS IN MILLIMETRES UNLESS STATED OTHERWISE

Nomenclature	A	B	C	D	E	F	G	J	L	M	N	P	R	S	T	U	V	W	Wt Kg
5M¾T8R	618	↑	↑	↑	↑	↑	181	140	105	153	12	45	99	↑	140	130	170	11	38
5M1T8R	656						208	152	135	183	22	57	109		161	140	200	14	41
5M½T6R	570						164	132	↑	↑	↑	↑	↑		↑	↑	↑	↑	31.5
5M¾T6R	570						164	132											31.5
5M1T6R	593						181	140											36
5M1½T6R	618						181	140											38
5M½T4R	519						152	92	105	153	12	45	99		140	130	170	11	26
5M¾T4R	570						164	132											31.5
5M1T4R	570						164	132											31.5
5M1½T4R	593						181	140											36
5M2T4R	618						181	140	↓	↓	↓	↓	↓		↓	↓	↓	↓	38
5M3T4R	656	122	96	45	54	1" B.S.P.	208	152	135	183	22	57	109	80	161	140	200	14	41
7M¾T8R	618						181	140	105	153	12	45	99		140	130	170	11	38
7M1T8R	656						208	152	135	183	22	57	109		161	140	200	14	41
7M½T6R	570						164	132	↑	↑	↑	↑	↑		↑	↑	↑	↑	31.5
7M¾T6R	570						164	132											31.5
7M1T6R	593						181	140	105	153	12	45	99		140	130	170	11	36
7M1½T6R	618						181	140	↓	↓	↓	↓	↓		↓	↓	↓	↓	38
7M2T6R	656						208	152	135	183	22	57	109		161	140	200	14	41
7M½T4R	519						152	92	↑	↑	↑	↑	↑		↑	↑	↑	↑	26
7M¾T4R	570						164	132											31.5
7M1T4R	570						164	132	105	153	12	45	99		140	130	170	11	31.5
7M1½T4R	593						181	140											36
7M2T4R	618						181	140	↓	↓	↓	↓	↓		↓	↓	↓	↓	38
7M3T4R	656						208	152	135	183	22	57	109		161	140	200	14	41
7M4T4R	656	↓	↓	↓	↓	↓	208	152	135	183	22	57	109	↓	161	140	200	14	41

Section Drawing and Parts List Sizes 5-7S

**Note. Koronka 7M2T4R/04 has mechanical seal.
Item 2 is 'Mechanical Seal' - not gland packing.
Items 20,28 & 33 not required.**



Item No.	No. Off	Description
1	1	By-pass cover
2	5	Gland packing
4	1	Setting screw
5	1	Valve nut
6	1	Sealing nut
8	1	B.P. spring
9	1	By-pass valve
10	1	Rotation plate
11	1	Idler shaft assy.
12	8	$\frac{5}{16}$ " U.N.F. stud
13	1	Valve nut gasket
14	1	Body
15	4	Socket H.D. Capscrew
16	4	Socket H.D. Capscrew
17	1	Mainshaft assy.
18	1	Front cover
20	1	Gland retainer
21	4	Bearing housing
22	2	Fibre washer
23	1	By-pass cover gkt.
24	1	Front cover gkt.
26	1	Lock nut
27	4	Rivet
28	2	$\frac{1}{4}$ " Thackeray washer
29	8	$\frac{5}{16}$ " U.N.F. nut
30	8	$\frac{5}{16}$ " Spring washer
31	4	Roller bearing
32	1	Name plate
33	2	$\frac{1}{4}$ " U.N.F. Setscrew
34	2	Gauge port plug